



The Value Line includes a select group of camera styles equipped with high-quality electronics similar to the Premier Line, but with fewer features for a lower cost.

Our Value Line discreet cameras offer basic performance with a focus on economy. These models have high-quality electronics similar to our Premier Line, but have fewer features so we can offer them at a lower price.

All GBC by Kalatel Value Line black-and-white cameras deliver a resolution of 400 TV lines and light

sensitivity of 0.1 lux. The color cameras deliver a resolution of 350 TV lines and light sensitivity of 1 lux.

GBC by Kalatel Value Line cameras feature a high-speed electronic shutter that compensates for changing lighting conditions, from bright sunlight to dim outdoor lighting. They also feature a

backlight compensation circuit that prevents foreground objects from becoming silhouetted against bright backgrounds. Each includes a plug-in power supply and easy-connect leads for simple installation.

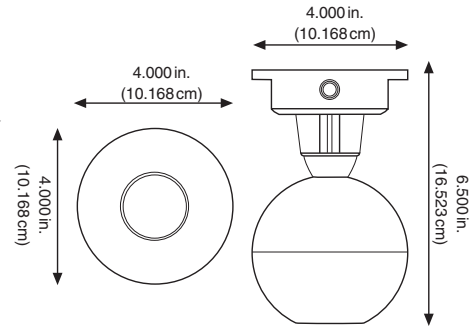
Please consult the part number guide to configure the camera that best meets your needs—and your budget.

Ball Camera

BC-150/850



- 6.5 in. high with mount
- Operates in temperatures from -20 to 140 °F
- Color or black-and-white camera
- 2.5 or 4 mm lens

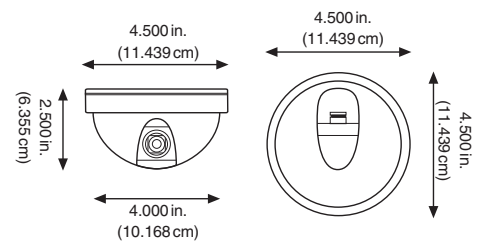


4-inch Dome Camera

DS-150/850



- Dome conceals camera position
- Camera can be rotated 360° and tilted 90° during installation
- Color or black-and-white camera
- 2.5 or 4 mm lens

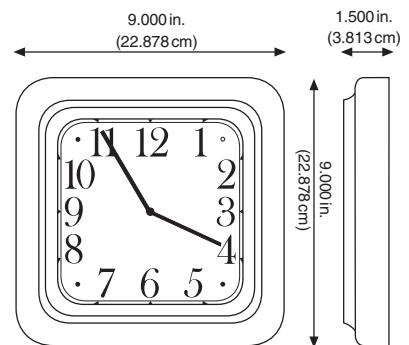


Clock Camera

CL-150/850



- Working battery-operated quartz clock
- Color or black-and-white camera
- 3.6 or 5 mm pinhole lens

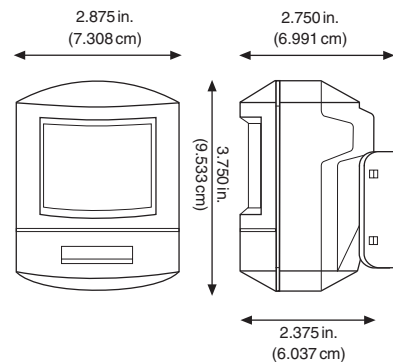


PIR Camera

PN-150/850



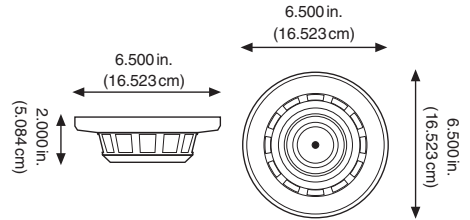
- Can be mounted on a wall or in a corner
- Color or black-and-white camera
- 2.5 or 4 mm lens
- No PIR electronics



Smoke Detector Camera SD-150/850



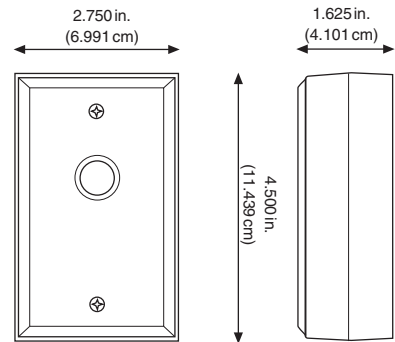
- Resembles many popular models of commercial smoke detectors
- Down-viewing color or black-and-white camera
- 3.6 or 5 mm pinhole lens
- No smoke detector electronics



Surface-Mount Camera SM-150/850



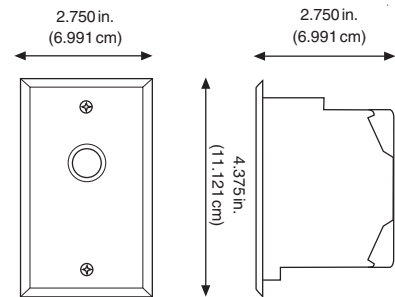
- Brushed stainless steel front plate
- Surface-mount box included
- Color or black-and-white camera
- 2.5 or 4 mm lens



In-Wall Camera IW-150/850



- Brushed stainless steel front plate
- Mounts in single gang box (included)
- Color or black-and-white camera
- 2.5 or 4 mm lens



Technical Specifications

Black-and-White Camera

| | |
|---------------------------------------|---|
| Image sensor | 1/3-in. interline transfer CCD |
| Scanning system | 2:1 interlace—525 lines, 60 fields (EIA); optional 625 lines, 50 fields (CCIR) |
| Effective picture elements | 512 (H) x 492 (V) |
| Resolution | 400 TVL |
| Sensitivity (Minimum illumination) | 0.1 lux @ f1.2 0.01 lux (faceplate) 0.3 lux with pinhole lens |
| Signal-to-noise ratio | 48 dB (AGC off) |
| AGC | Max 30 dB |
| Backlight compensation | On (under AES), center weighted |
| Synchronization | Internal |
| Gamma compensation | 0.45 |
| Video output | 1.0 V pk-pk 75 ohm unbalanced |
| Electronic shutter | AES 1/60–1/100,000 sec. |
| Power supply | 12 VDC |
| Power consumption | 95 mA 1.14 w |
| Operating temperature | 0 to 140 °F (-18 to 60 °C) |

Color Camera

| | |
|---------------------------------------|---|
| Image sensor | 1/3-in. interline transfer CCD |
| Scanning system | 2:1 interlace—525 lines, 60 fields (NTSC); optional 625 lines, 50 fields (PAL) |
| Effective picture elements | 512 (H) x 492 (V) |
| Resolution | 350 TVL |
| Sensitivity (Minimum illumination) | 1 lux @ f1.2 0.1 lux (faceplate) 3 lux with pinhole lens |
| Signal-to-noise ratio | 48 dB (AGC off) |
| AGC | Max 30 dB |
| Backlight compensation | On (under AES), center weighted |
| Synchronization | Internal |
| Gamma compensation | 0.45 |
| Video output | 1.0 V pk-pk 75 ohm unbalanced |
| Electronic shutter | AES 1/60–1/100,000 sec. |
| White balance | Auto white balance 2,500 to 11,000 °K |
| Power supply | 12 VDC |
| Power consumption | 120 mA 1.45 w |
| Operating temperature | 0 to 140 °F (-18 to 60 °C) |

GBC - [] [] - [] 50 - [] []

Standard Lens

Camera Style

| | |
|-----------|-------------------------|
| BC | Ball |
| DS | 4-inch Dome |
| IW | In Wall |
| PN | PIR, no PIR electronics |
| SM | Surface Mount |

Camera Type

| | |
|----------|-----------------|
| 1 | Black-and-White |
| 8 | Color |

Lens

| | |
|------------|--------|
| 2.5 | 2.5 mm |
| 4 | 4 mm |

Pinhole Lens

| | | | | | |
|-----------|-----------------------------|----------|-----------------|-----------|----------------|
| CL | Clock | 1 | Black-and-White | P3 | 3.6 mm pinhole |
| SD | Down-Viewing Smoke Detector | 8 | Color | P5 | 5 mm pinhole |

All cameras include power supply

Mailing Address

PMB 225, P.O. Box 3004
Corvallis, OR, USA 97339
www.kalatel.com

Americas

toll free 800-469-1676
tel 541-754-9133
fax 541-754-7162

Asia

tel 852-2907-8108
fax 852-2142-5063

Australia

tel 61-3-9259-4700
fax 61-3-9259-4799